



Series SAH SMART Air Hood® Balancing Instrument - Adapter Hoods

Specifications - Installation and Operating Instructions



The **SERIES SAH SMART** Air Hood® balancing instrument is the most accurate and easy to operate air flow hood on the market. By using the included hood stand and wireless communications to the handheld, a single operator can balance a branch in less time than traditional balancing teams. Besides being lighter than most traditional capture hoods, the ergonomic design makes the Series SAH easy to maneuver, with less physical stress. The rugged polypropylene base hood features patented Quad Flow Design Technology for controlling air flow and minimizing back pressure, which yields superior measurement accuracy. The Wi-Fi direct communication gives reliable communication with a distance of up to 200 yards between the hood and the handheld test instrument. The SMART Air Hood® balancing instrument includes the PredictAir™ application software which reduces the number of steps in the air flow balancing process using Predictive Balancing's Express Balance mode. Predictive Balancing is a method of predicting the optimal flow set point for each register and the order in which they should be adjusted.

The SMART Air Hood® balancing instrument comes standard with a 2 ft x 2 ft (0.6 m x 0.6 m) opening but can also be used with other diffuser / register sizes using an adapter base kit (A-SAH-BK) and various adapter hoods. Available adaptor hood sizes, sold separately, include a 1 ft x 4 ft (0.3 m x 1.2 m) model A-SAH-14S, a 2 ft x 4 ft (0.6 m x 1.2 m) model A-SAH-24S, a 3 ft x 3 ft (0.9 m x 0.9 m) model A-SAH-33S and a 1 ft x 5 ft (0.3 m x 1.5 m) model A-SAH-15S.

The assembly of the adapter hoods begins with the adapter base kit A-SAH-BK. Only one adapter base kit is needed, as it can be used with any of the four adapter hood sizes. To start, lay out the adapter base kit as shown in the photo. To assemble the adapter base kit and the adapter hoods to the base, please follow the steps in a sequential order. The number references will be a guide for the right adapter parts to use.



Canvas Hood Adapter
(Variety of Sizes)



SAH Adapter Base Kit
Model A-SAH-BK

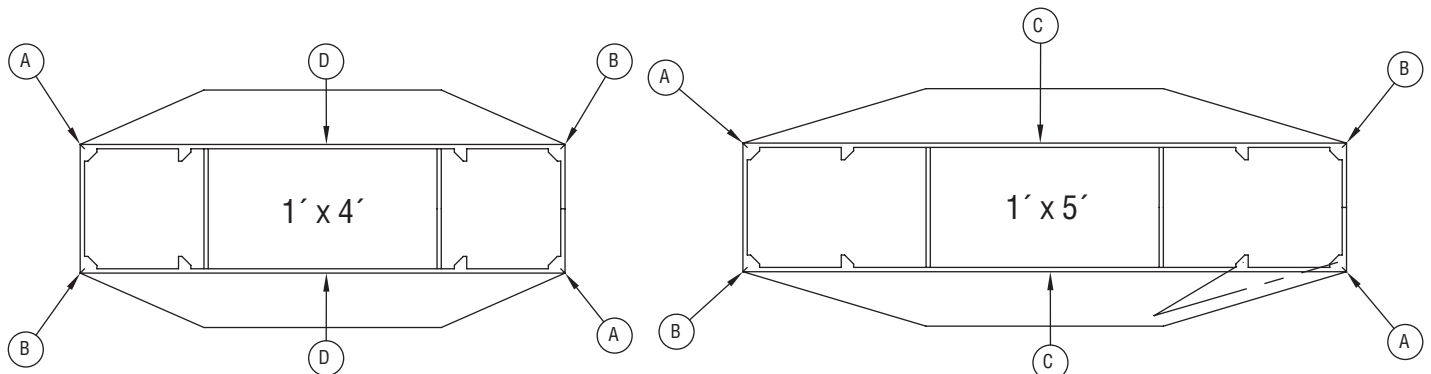


The adapter frame kit contains the following parts to build and install the 1' x 4' (0.3 m x 1.2 m), 1' x 5' (0.3 m x 1.5 m), 2' x 4' (0.6 m x 1.2 m), and 3' x 3' (0.9 m x 0.9 m) hood adapters:

A = 18" x 6" corner bracket long side
 B = 18" x 6" corner bracket short side
 C = 24" long extension

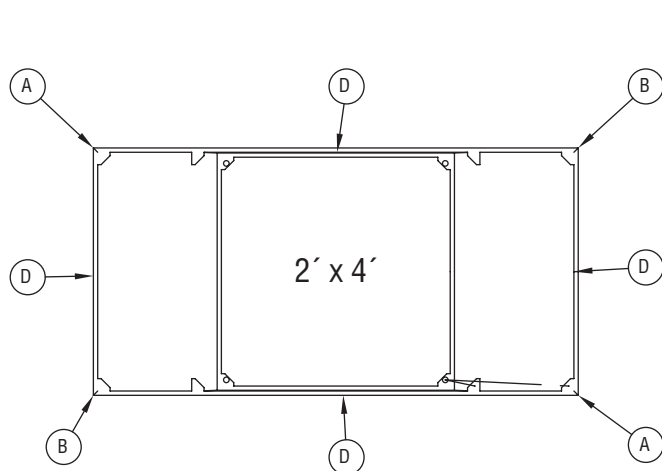
D = 12" long extension
 E = Spring support poles
 F = Bottom support frame

See the below diagrams for which parts are needed to assemble each hood adapter size.

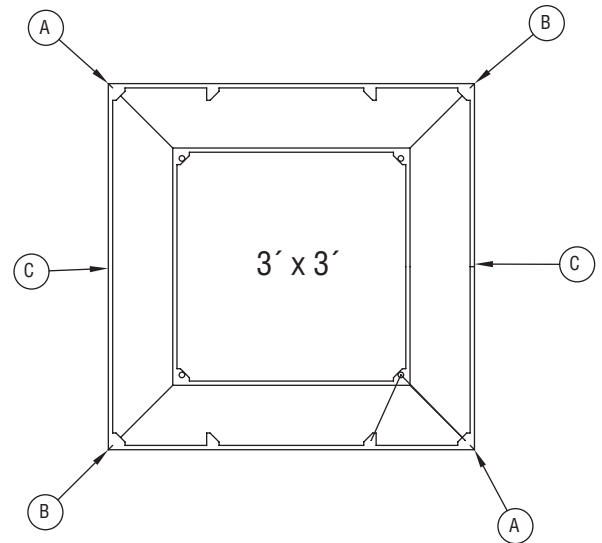


1' x 4' (0.3 m x 1.2 m) Adapter Hood

1' x 5' (0.3 m x 1.5 m) Adapter Hood



2' x 4' (0.6 m x 1.2 m) Adapter Hood



3' x 3' (0.9 m x 0.9 m) Adapter Hood

ASSEMBLY

To use the SAH with different diffuser sizes other than 2' x 2' (0.6 m x 0.6 m), use the following instructions for how to attach adapter hoods.

1. Place the SAH on the floor or elevated work area with the top of the unit facing up as shown in the photo below.



2. Hold the canvas hood in place by its top over the SAH with the Dwyer trademark facing you and place the adapter hood into the main SAH body aligning the sewn corner seams of the adapter hood to be approximately in line with the corner of the SAH unit body to prepare for assembling it to the SAH body as shown below.
3. Stretch the outer cord hoop (the one without the hook and loop straps) over the SAH top and place the cord into the outer top groove just below the top rubber seal. Be sure to locate the sewn seams of the adapter at the corner of the SAH. (This can be adjusted after the cord is stretched into place at this time. It is not necessary to tuck the entire cord into the SAH slot in the straight sections.)



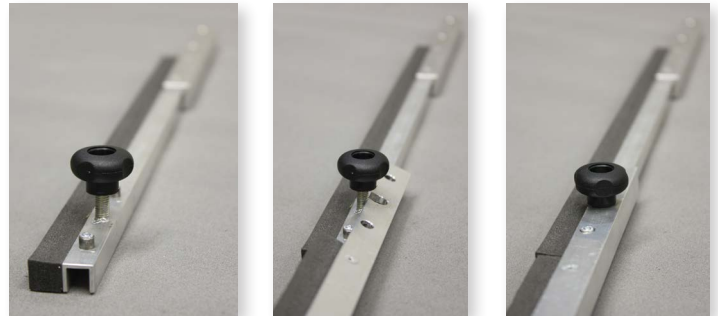
4. Fold the canvas hood inside out over the SAH, exposing the inner cord loop and place that cord loop inside the SAH unit. Pay special attention to the corners. Open the fabric hook and loop straps if they are closed.



5. Place the lower 2' x 2' adapter frame into the SAH over the top of the inner cord loop skirt trapping the cord inside the SAH and loosely close the hook and loop straps over the adapter frame to hold it in place.



6. Assemble the required upper frame system that matches the adapter hood choice. Details for which pieces are needed for each hood size are on page 2. Starting with two pieces that fit together, loosen the knob on the first piece. Slide the second piece so the grooves fit around the knob on the first piece. Tighten the knob to hold in place. Continue until entire upper frame is assembled.



7. Place the upper frame system on top of the SAH unit positioning the frame for proper assembly as shown below. For all sizes (except 3' x 3'), the long sides should align with the logo sides of the canvas hood.



8. Stretch the top cord loop of the canvas hood onto the upper frame, aligning the corners of the frame with the sewn seams of the canvas hood. Once they are aligned, press the cord into the groove all the way around the frame.

9. Place all spring poles inside the SAH unit for easy access for final assembly.

10. While holding one spring pole at the end in one hand, lift the top frame using both hands opposite and diagonal from each other until the adapter hood is fully open. Place the spring pole into a bottom corner pocket of the lower frame, compress the pole with your thumb and while still holding the upper frame with your fingers, slide the top of the pole into the appropriate support frame bracket pocket.



11. Pick up another spring pole and install it in the position opposite diagonal from the first one. Install all spring poles by first placing one end into a corner pocket of the lower frame. Compress the spring pole by pushing downward onto the lower frame until the spring pole top can be placed into the top frame support pocket. The unit will now be stable and balanced enough to release it and place the 2 remaining spring poles in place with the same procedure.



12. Re-tuck the upper cord loop into the top frame if it came free during the assembly. At this time, you can tuck the outer lower cord into the SAH unit along the straight sections. It is not necessary that this be done for the cord to stay in place or for the system to perform properly.

13. It will be necessary to use the stationary pole adapter attachment. Install this according to the instructions on page 3 of Bulletin TE-SAH.



14. The SAH unit with the adapter base kit and canvas hood can now be used to complete the balancing process.



MAINTENANCE

Some simple routine maintenance after each use will ensure that the instrument will function correctly for many years.

- Remove any moisture droplets using a clean, absorbent lint-free cloth/paper towel before storing the unit.
- Remove all batteries if the unit is to be stored for an extended period of time.
- Always store and transport the unit carefully. Store in dry conditions.
- DO NOT immerse the hood in water.
- DO NOT use abrasive cleaning products on the hood. The hood can be wiped clean with a damp lint-free cloth.
- DO NOT use abrasive cleaning products on the quad flow sensing grids, which may block or damage the grid. The grid may be CAREFULLY wiped clean with a lint-free cloth. Ensure the air entry holes of the quad flow sensing grids are not contaminated with moisture.
- Check periodically for damage or any visible cracks.
- Take care to not damage or obscure the air entry holes of the quad flow sensing grids. This can seriously affect the measurements obtained.

Diffuser adapter hood fabric can be wiped clean with a damp cloth, if necessary, and moisture droplets dried with an absorbent lint-free cloth/paper. Periodically, wash in cool water using a mild detergent. Drip dry, ensuring it cannot become caught in any sharp objects.

The fabric used is impermeable, tough, and very resistant under normal use. In the event that the fabric becomes worn or torn, replace the fabric hood immediately. A damaged hood will seriously affect the measurements taken.

Anti-static solution can be applied to the instrument by using a clean, lint-free cloth and carefully rubbing it over the instrument.

Note: This is normally only necessary when working in low humidity conditions.

WARRANTY/RETURN

Refer to "Terms and Conditions of Sale" in our catalog and on our website. Contact customer service to receive a Return Materials Authorization number before shipping the product back for repair. Be sure to include a brief description of the problem plus any additional application notes.



electro-mation
... Luftmesstechnik

ELECTRO-MATION GmbH
Münsterstr. 23-25
22529 Hamburg
GERMANY

Tel. 040 / 850-2320
Fax 040/ 850-4114
info@volumenstrommessung.de
www.volumenstrommessung.de