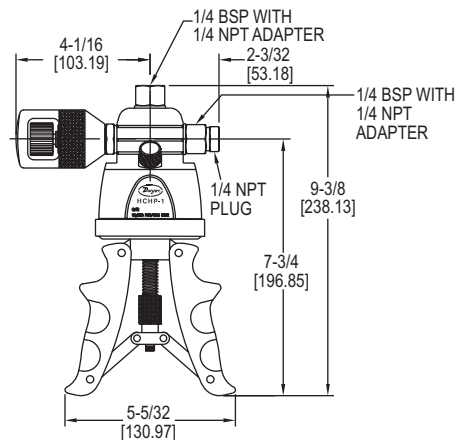


SERIES HCHP

HYDRAULIC CALIBRATION HAND PUMP

Triple Filtration, Generates Pressure up to 10,000 psi (700 bar)



The **SERIES HCHP** Hydraulic Calibration Hand Pump utilizes a fully adjustable stroke control that allows for quick priming, easy pumping, and fast pressure generation up to 10,000 psi (700 bar). The ergonomically engineered handles provide extra comfort, while the triple filtration system ensures pump operation in spite of dirty conditions.

FEATURES/BENEFITS

- Oversized check valve maintain smooth operation
- Shatterproof reservoir and stainless steel construction guarantee no leaks

APPLICATIONS

- Instrument calibration
- Laboratories
- Production areas

MODEL CHART

Model	Description
HCHP-1	Calibration hand pump
HCHP-1K	Calibration hand pump with hose kit

SPECIFICATIONS

Output Ranges: 0 to 10,000 psi (0 to 700 bar).

Process Connection: 1/4" NPT/BSP.

Gage Connection: 1/4" NPT/BSP.

Materials: SS, polyurethane, anodized hard-coat aluminum, PTFE, and nitrile.

Weight: 3 lb (1.36 kg).

ACCESSORIES

Model	Description
HCHP-1F	Spare washer and filter kit