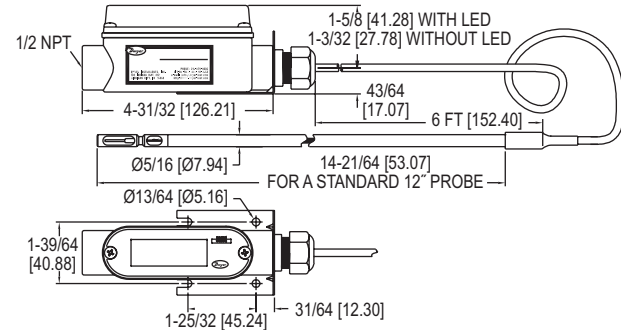


Dwyer

SERIES 641RM

AIR VELOCITY TRANSMITTER WITH REMOTE PROBE

For Remotely Mounting Electronic Enclosure



The **SERIES 641RM** features the same highly accurate heated mass flow sensor as the Series 641, with a remote probe construction. The units 6' cable which connects the sensing probe with the electronic enclosure allows the enclosure to be mounted where it can be more easily accessed.

FEATURES/BENEFITS

- Ranges from 250 FPM (1.25 MPS) to 15,000 FPM (75 MPS)
- Optional bright LED display
- Easy push button set-up
- Compact housing
- 4 to 20 mA output
- Digital filter for signal damping

APPLICATIONS

- Exhaust stack flow monitoring
- Air control in drying processes
- HVAC air velocity measurements
- Fan supply and exhaust tracking
- Clean room ventilation monitoring

MODEL CHART

Model	Description
641RM-12	Air velocity transmitter with 6' cable
641RM-12-LED	Air velocity transmitter with 6' cable with LED display

ACCESSORIES

Model	Description
A-156	Universal mounting plate, 1/2" female NPT
A-158	Split flange mounting kit
A-159	Duct mounting gland
641-LED	Field-upgradeable LED

SPECIFICATIONS

Service: Clean air and compatible, non-combustible gases.

Accuracy: 3% FS process gas: 32 to 122°F (0 to 50°C); 4% FS process gas: -40 to 32°F & 122 to 212°F (-40 to 0°C & 50 to 100°C).

Response Time: Flow: 1.5 s to 95% of final value (output filter set to minimum).

Temperature Limits: Process: -40 to 212°F (-40 to 100°C); Ambient: 32 to 140°F (0 to 60°C).

Pressure Limit: 100 psi (6.89 bar) maximum.

Humidity Limit: Non-condensing.

Power Requirements: 12 to 35 VDC, 10 to 16 VAC. 1.5 A rating required on supply due to initial power surge drawn by transmitter.

Output Signal: 4 to 20 mA, isolated 24 V source, 3 or 4-wire connection.

Output Filter: Selectable 0.5–15 (seconds).

Loop Resistance: 600 Ω max.

Current Consumption: 300 mA max.

Electrical Connections: Screw terminal.

Mounting Orientation: Unit not position sensitive. Probe must be aligned with airflow.

Weight: 13.2 oz (374.26 g).

Cable Length: 6' (1.82 m).

Probe Length: 12" (30.48 cm) standard.

Probe Diameter: 5/16" (0.79 cm).

OPTIONAL DISPLAY VERSION:

Display: 4-1/2 digit 1/2" red LED.

Resolution: 1 FPM, 0.01 MPS (10 FPM @ 10,000 and 15,000 FPM ranges).

Weight: 13.9 oz (394.16 g).

OPTIONS

To order add suffix:	Description
-NIST	NIST traceable calibration certificate
Example: 641RM-12-NIST	