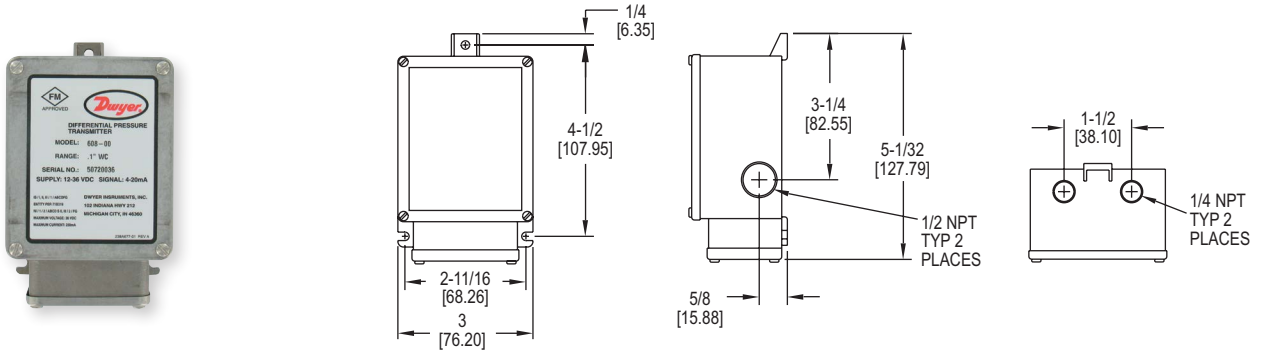


# INTRINSICALLY SAFE DIFFERENTIAL PRESSURE TRANSMITTER

Ranges Down to 0.1 in w.c., FM Approved, NEMA 4X



The Dwyer **SERIES 608** Differential Pressure Transmitters convert positive, negative (vacuum), or differential pressures of clean, dry air or other non-conductive, non-corrosive gases into a standard two wire, 4-20 mA output signal. The use of an ultra-thin silicon diaphragm enables precision measurement of differential pressures as low as 0.1 in w.c. while withstanding high static working pressures up to 100 psig (6.89 bar). The Series 608 transmitters are FM approved intrinsically safe for use in the specified hazardous locations when used with an approved intrinsic safety barrier. The rugged NEMA 4X, stainless steel housing makes this transmitter ideal for use in industrial and process plant environments.

**FEATURES/BENEFITS**

- High accuracy at low pressure ranges provides exceptional measurement for ensuring tight-control and minimizing costly out of specification conditions
- Intrinsically safe for use in the specified hazardous locations meets specifications where pressure transmission and safety cannot be compromised
- NEMA 4X rated enclosure provides protection in harsh environments permitting outdoor monitoring or in areas where dust and particulate matter exists

**APPLICATIONS**

- Lab fume hood control
- Clean room applications
- Flow measurements and control
- Filter monitoring
- Furnace draft measurement
- Process control

MODEL CHART	
Model	Range (in w.c.)
608-02	0 to 0.5
608-03	0 to 1.0
608-04	0 to 2.0
608-05	0 to 5.0
608-06	0 to 10.0
608-07	0 to 25.0
608-01B	0 to ±0.25
608-13B*	0 to ±1.0
608-04B	0 to ±2.0

\*Models have a ±0.25% FS accuracy.

**SPECIFICATIONS**

**Service:** Clean/dry air and compatible, combustible gases. (see Agency Approvals for FM ratings).  
**Wetted Materials:** Consult factory.  
**Accuracy:** ±0.5% or ±0.25% full scale.  
**Stability:** ±0.5% FS/year.  
**Pressure Limits:** 100 psig (6.89 bar); 15 psid (1.03 bar).  
**Temperature Limits:** -20 to 185°F (-28 to 85°C).  
**Compensated Temperature Range:** 0 to 160°F (-18 to 71°C).  
**Thermal Effect:** 0.5% Accuracy: ±0.02% FS/°F; 0.25% Accuracy: ±0.01% FS/°F.  
**Power Requirements:** 12 to 36 VDC (2-wire).  
**Output Signal:** 4 to 20 mA DC.  
**Zero and Span Adjustments:** Potentiometers for zero and span.  
**Response Time:** 250 ms.  
**Loop Resistance:** DC: 0 to 1045 Ω max.  
**Electrical Connections:** Screw terminal: Two 1/2" female NPT conduit.  
**Process Connections:** Two 1/4" female NPT.  
**Enclosure Rating:** NEMA 4X (IP66).  
**Weight:** 2 lb (0.9 kg).  
**Agency Approvals:** FM approved intrinsically safe for use in Class I, Div. 1, Groups A, B, C, D; Class II, Div. 1, Groups E, F, G; Class III, Div. 1 when wired with approved intrinsically safe barrier. Entity parameters: V<sub>max</sub>= 36 VDC; I<sub>max</sub>= 250 mA; C<sub>i</sub>=12 nF; L<sub>i</sub>=0 mH.

**OPTIONS**

Use order code:	Description
NISTCAL-PT1	NIST traceable calibration certificate

**ACCESSORIES**

Model	Description
MTL5541	Intrinsically safe galvanic isolator
MTL7706	Intrinsically safe zener barrier