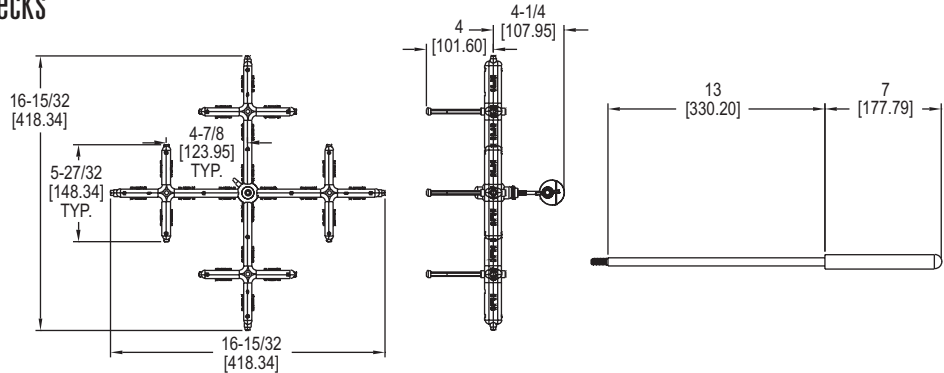


Dwyer

MODEL 160G

AVERAGING AIR FLOW GRID

Extends Over 50" to Aid in Air Flow Output Checks



The **MODEL 160G** Averaging Air Flow Grid utilizes 16 sensing points to provide precision sensing across its 16.5" (41.9 cm) length and width. The uniquely designed swivel and tightening nut allows the user to position the sensing grid at any angle for ease of use in hard to reach locations. The included color coded tubing connects to the integral barbed fittings, providing a differential pressure signal to a gage or manometer where the readings can be converted into a velocity or flow reading.

FEATURES/BENEFITS

- Maximum reach of approximately 52" (132 cm)
- 16 sensing points provide an accurate average flow

APPLICATIONS

- Measure face air velocity on grills, diffusers, registers, exhaust hoods

SPECIFICATIONS

Service: Air or compatible gases.

Wetted Materials: Grid: Black polycarbonate; Swivel: Carbon steel; Handle: SS; Bolts: SS; Wing Nut: SS; Standoffs: Aluminum with rubber bumpers, two sets: 1.25" (31.7 mm) and 2" (50.8 mm), 1/8" ID / 1/4" OD; Tubing: Two 10' (3 m) lengths of silicone rubber.

Accuracy: ±2% FS.

Temperature Limits: -40 to 257°F (-40 to 125°C).

K Factor: 0.84.

Range: 1000 to 5000 FPM (5 to 25 m/s).

Process Connection: 1/8 to 1/4" ID tubing.

Weight: 3.5 lb (1.587 kg).

Agency Approvals: Meets the technical requirements of EU Directive 2011/65/EU (RoHS II).

MODEL CHART	
Model	Description
160G	Averaging air flow grid

ACCESSORIES	
Model	Description
UHH-C2	Protective hard case



UHH-C2