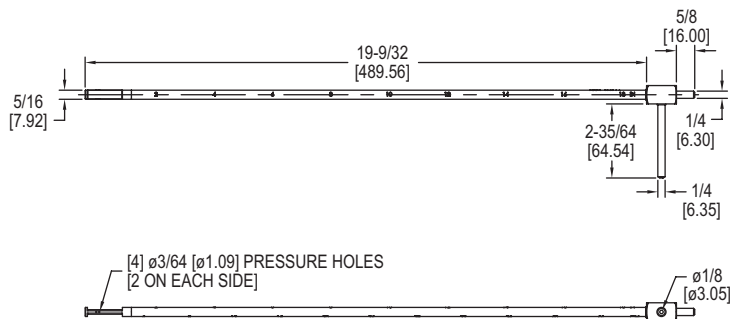


Dwyer**MODEL 160F**

STRAIGHT STAINLESS STEEL PITOT TUBES

TEST & DATA**Sensing Profile**

The **SERIES 160F** Straight Stainless Steel Pitot Tube is constructed from corrosion resistant stainless steel with permanently etched insertion depth graduations for a lifetime of service. The static pressure port is parallel to the sensing tube to allow quick, easy alignment of the tube with air flow. The straight design allows for easy insertion into ducts through grills and pressure taps, as well as aids in positioning in hard to reach locations where a hook style Pitot tube may not allow access.

FEATURES/BENEFITS

- Straight design allows for easy insertion into ducts
- Permanent stamped insertion depth graduations facilitate accurate positioning
- Alignment indicator helps keep tip parallel to flow

APPLICATIONS

- Monitor or control air velocity or air flow when combined with differential pressure gage, switch, or transmitter where hook style Pitot tubes don't allow access

MODEL CHART			
Model	Probe Length	Model	Description
160F	18" (457.2 mm)	160F-KIT	Kit containing 160-18, 160-24, 160-36, 160-48, and carrying case
160F-24	24" (609.6 mm)		
160F-36	36" (914.4 mm)		
160F-48	48" (1219.2 mm)		
160F-60	60" (1524 mm)		

SPECIFICATIONS

Wetted Material: 304 SS.
Accuracy: ±2% FS, 0 to 9000 FPM (45 M/s).
K-Factor: 0.81.
Temperature Limit: 1500°F (815°C).
Insertion Length: 18" (44 cm).
Process Connections: 1/4" OD.
Weight: 4.3 oz (122 g).
Agency Approvals: Meets the technical requirements of EU Directive 2011/65/EU (RoHS II).

ACCESSORIES

Model	Description
A-156	Flange mounting plate 1/2" female NPT
A-158	Split flange
A-159	Mounting gland
A-160-CASE	Carrying case for pitot tubes up to 48"
A-397	Step drill